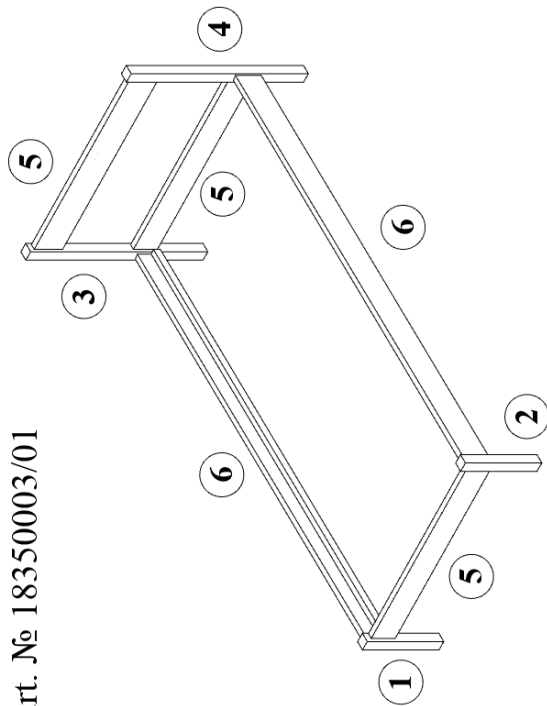


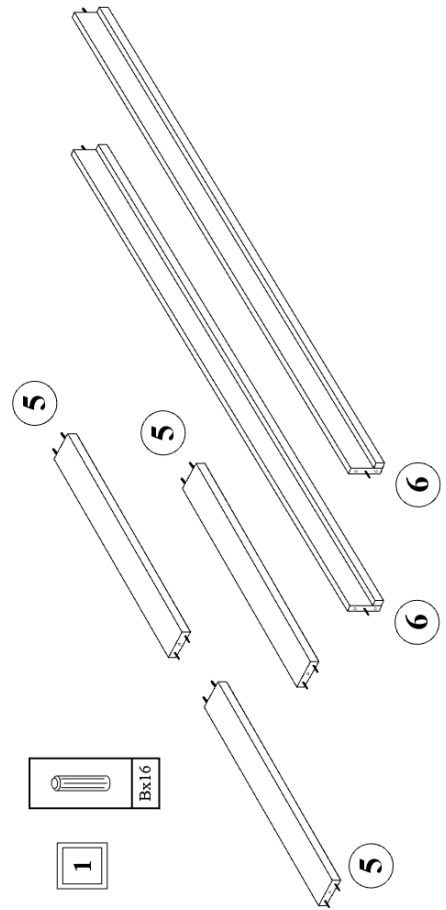
"BASE 90" art. № 18350003/01

Ax14 6.3*110	Bx16 8*30	Cx1

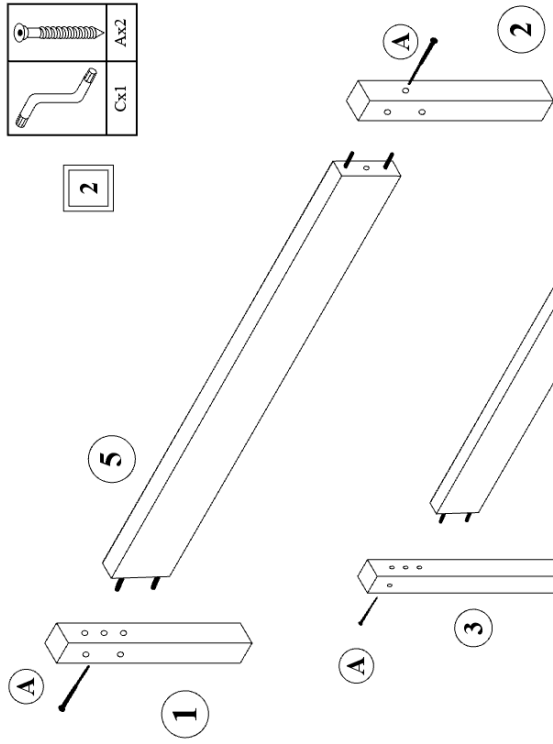


№	L, mm	B, mm	T, mm	St
1	340	45	45	1
2	340	45	45	1
3	700	45	45	1
4	700	45	45	1
5	888	110	25	3
6	1998	110	25	2

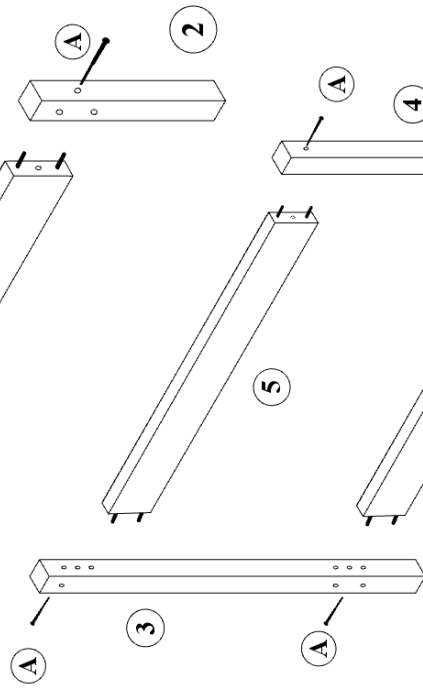
Bx16



Cx1	Ax2



Cx1	Ax4



Cx1	Ax8

